



# REVERSIBLE DOUGH SHEETER



**Reversible Dough Sheeter, Bench Model, 20 Speeds, 19 11/16" Stainless Steel Rollers, Adjustable Roller Gap (1-40mm), Enamel Coating, 1 HP, CE & ETL Listed**



PROJECT \_\_\_\_\_  
 ITEM NO. \_\_\_\_\_  
 NOTES \_\_\_\_\_  
 MODEL NUMBER: **LSA 516 , LSA 520**



**FEATURES**

- Bench Model
- Removable Arms
- 20 Adjustable Speeds
- Fold Up Belts for Easy Storage
- Synchronized Belt System
- Adjustable Thickness from 1/32" - 1 1/2" (1 - 40 mm)
- Control Belt by Either the Dual Hand Controls
- 22 lb. Dough Capacity
- Emergency Stop
- Thermal Overload Protection on Motor
- Easy to Remove & Adjust Scrapers
- Protective Guards with Motor Shut-Off Feature

**CONSTRUCTION**

- Polyurethane Belts
- Stainless Steel Rollers
- Stainless Steel Catch Pans (each side)
- Plastic Food Grade Flour Reservoir (above rollers)
- [2] Polyurethane Roll Pins

**OPTIONS & ACCESSORIES**

- Stainless Steel Construction (Suffix I)
- Heavy Duty Stand with Casters (LSB516T)

**CLEARANCES**

- 6" (152mm) - All Sides (do not place anything below belt)

**WARRANTY**

- One Year Labor & Two Year Parts



Model	Crated Weight	Overall Dimensions			Conveyor Dimensions		Electrical System		NEMA
		W	D	H	D	W	Volts	Amps	
LSA516	386	74.80"	37.79"	32.48"	18.89"	63"	120	8.3	5-15P
	(174)	(1900)	(960)	(825)	(480)	(800 x 2)			
LSA520	394	90.55"	37.79"	32.48"	18.89"	78.74"	120	8.3	5-15P
	(179)	(2300)	(960)	(825)	(480)	(1000 x 2)			





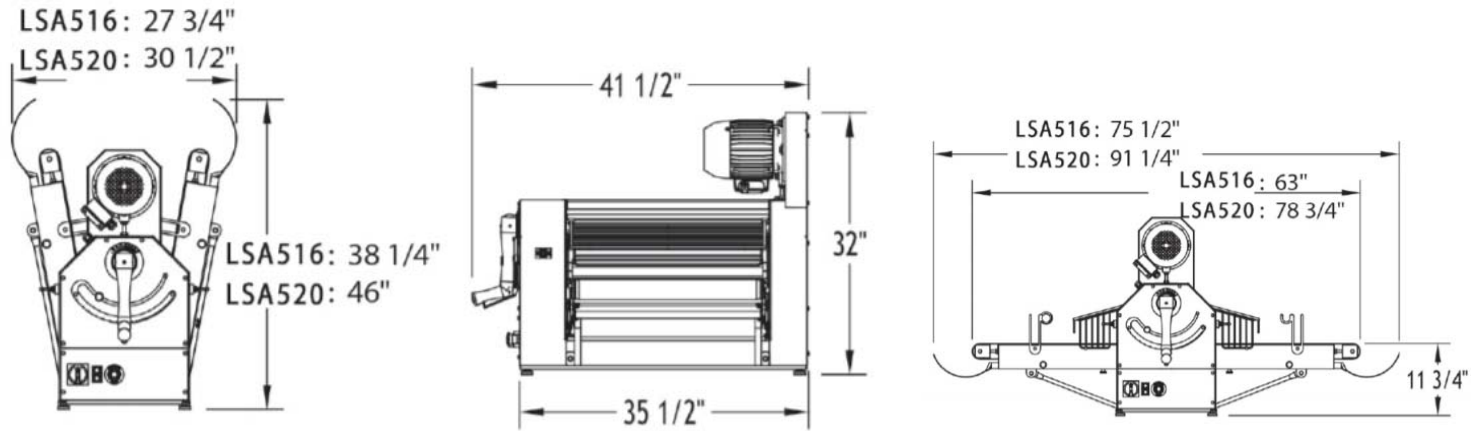
PROJECT \_\_\_\_\_

ITEM NO. \_\_\_\_\_

NOTES \_\_\_\_\_

MODEL NUMBER: **LSA 516 , LSA 520**

## DRAWINGS



## NEMA 5-15 PLUG

